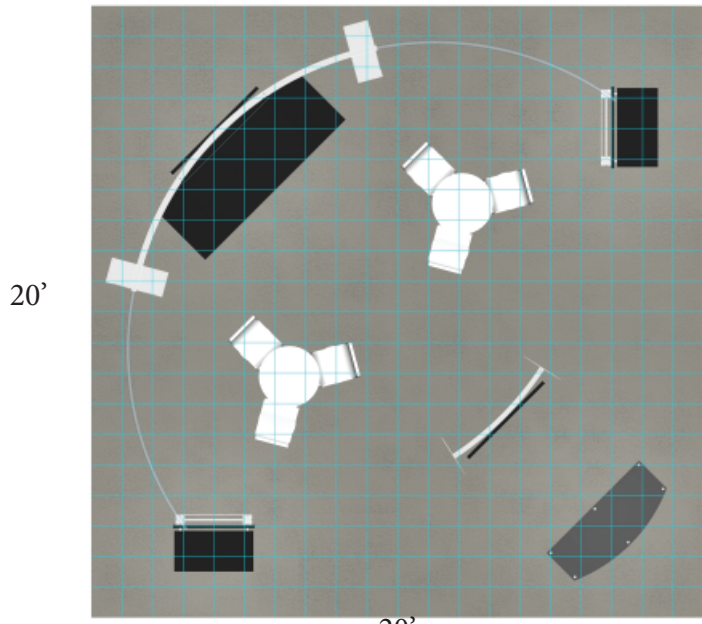


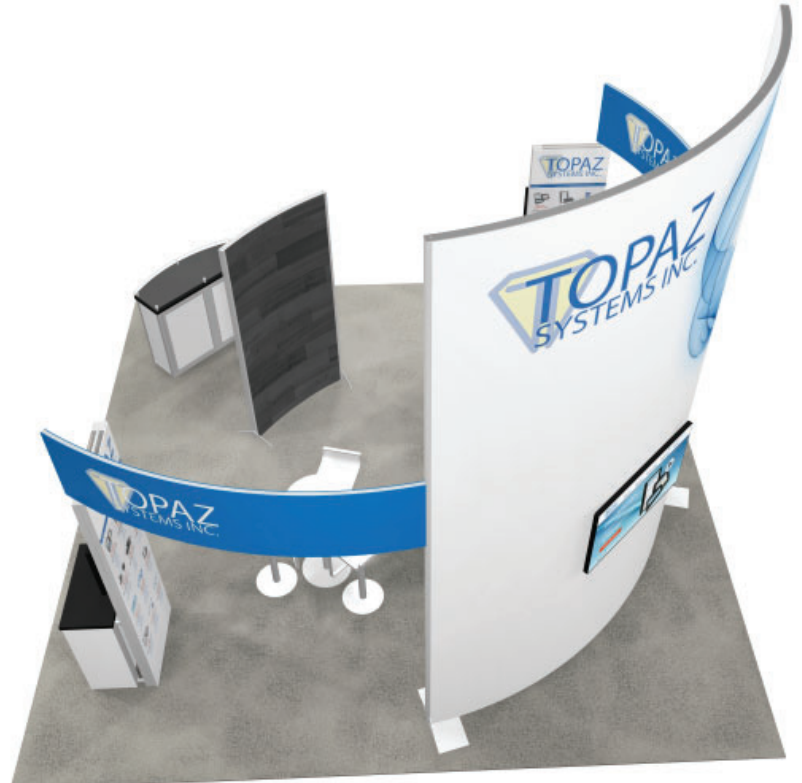
FRONT PERSPECTIVE



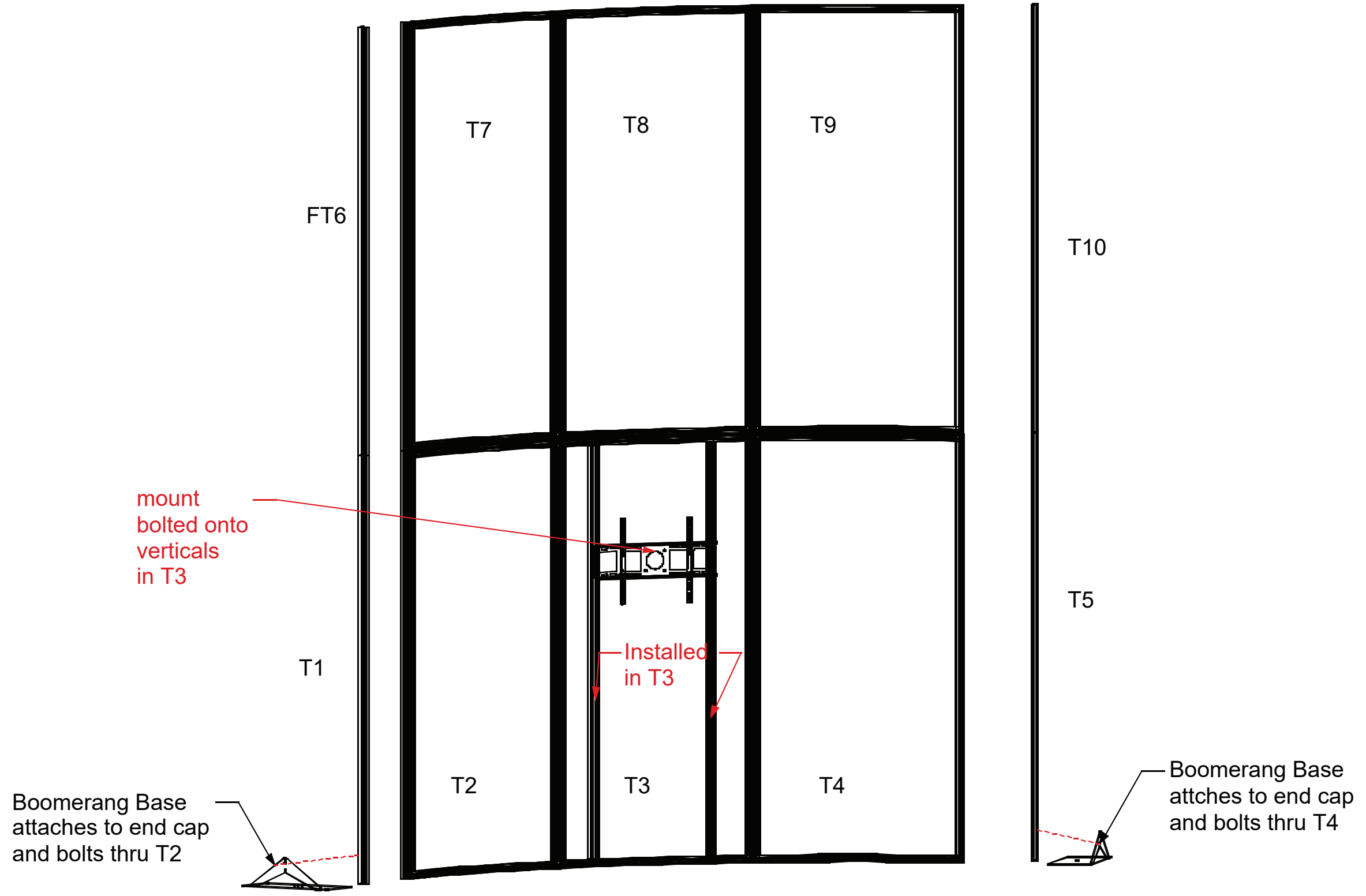
20'

20'

PLAN VIEW



BACK PERSPECTIVE

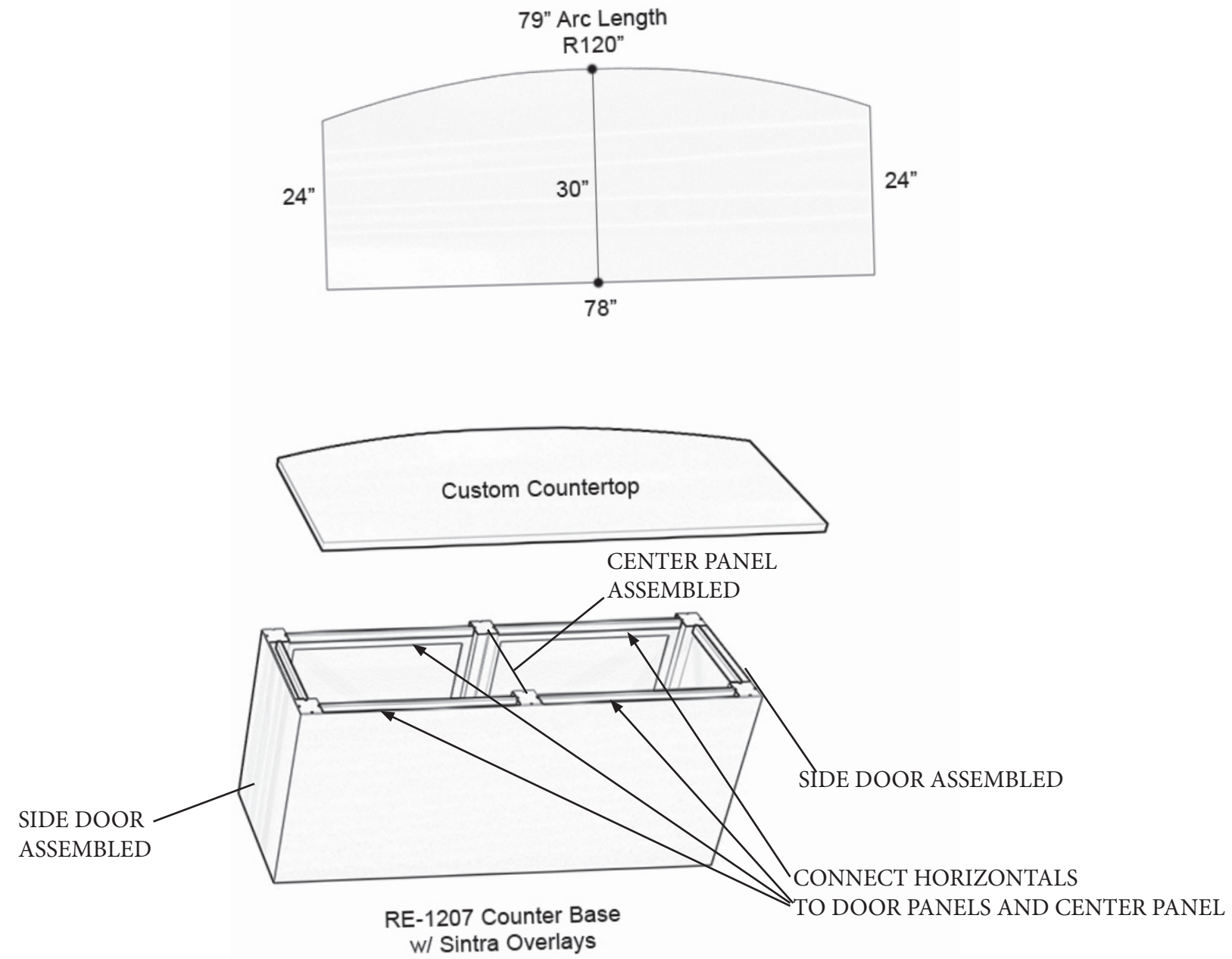


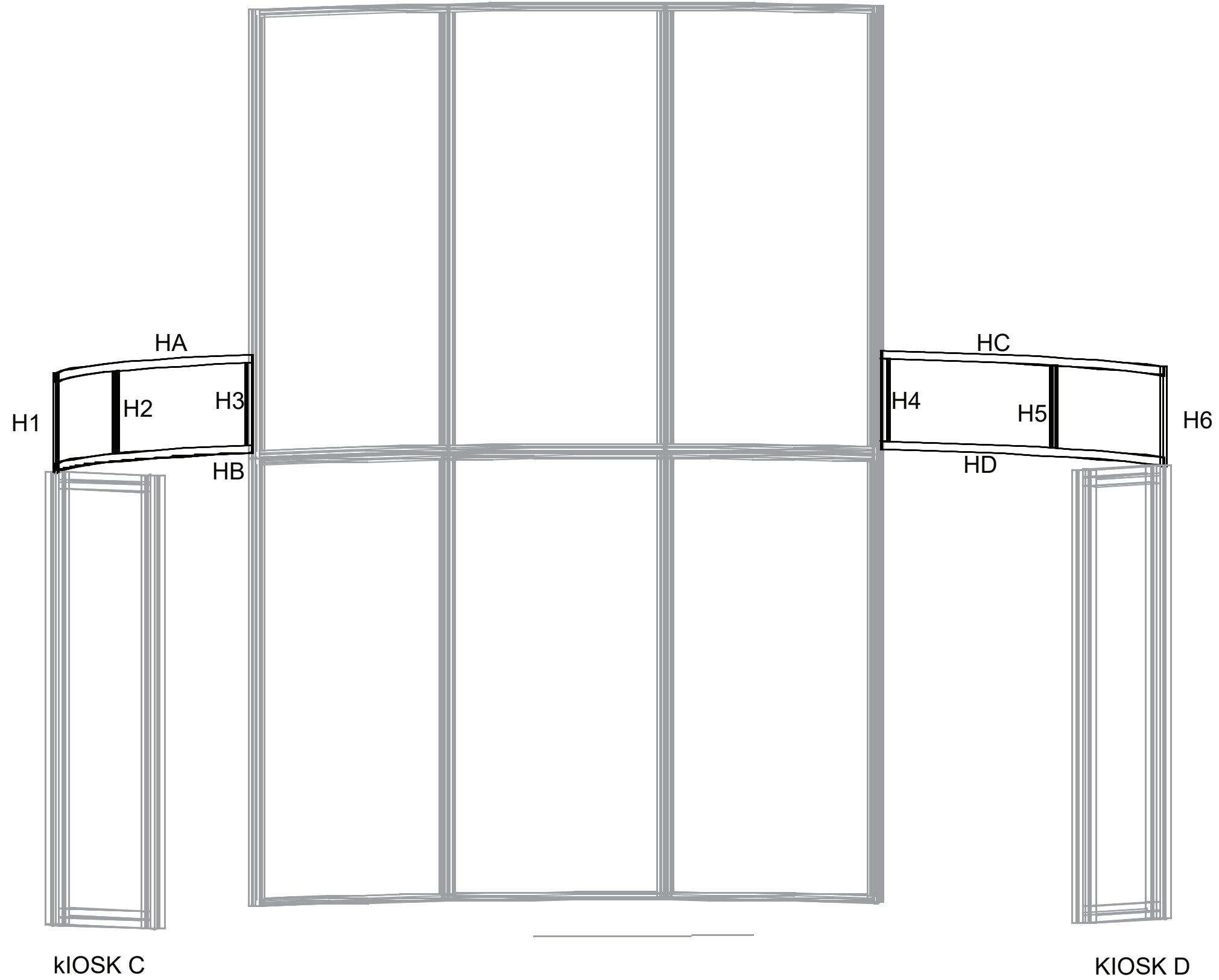
Boomerang Base
attaches to end cap
and bolts thru T2

mount
bolted onto
verticals
in T3

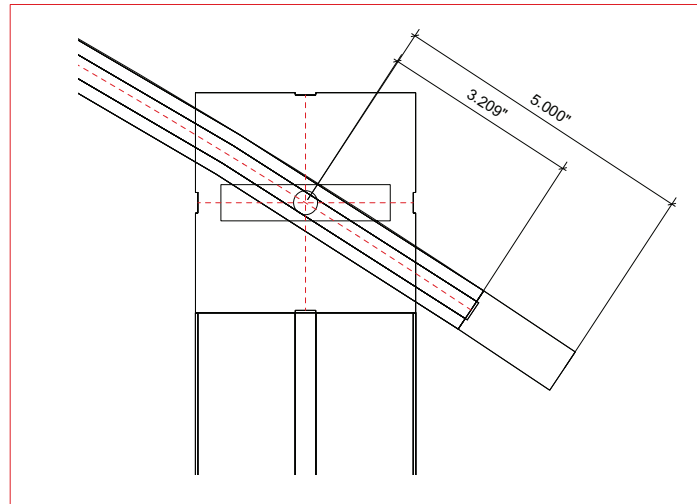
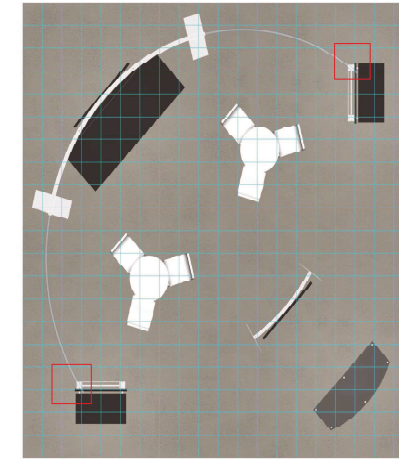
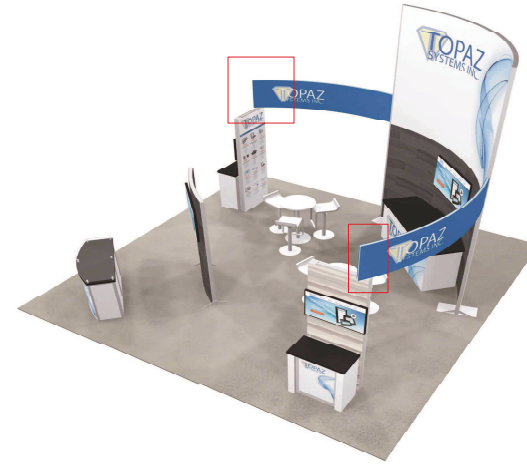
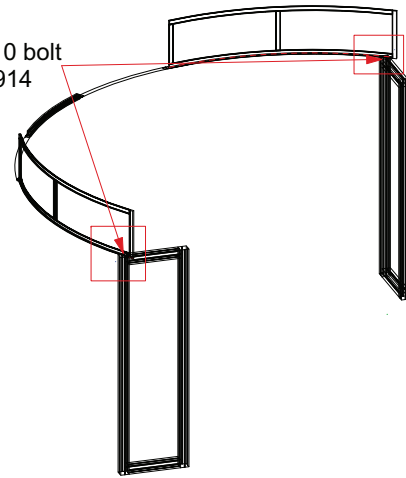
Installed
in T3

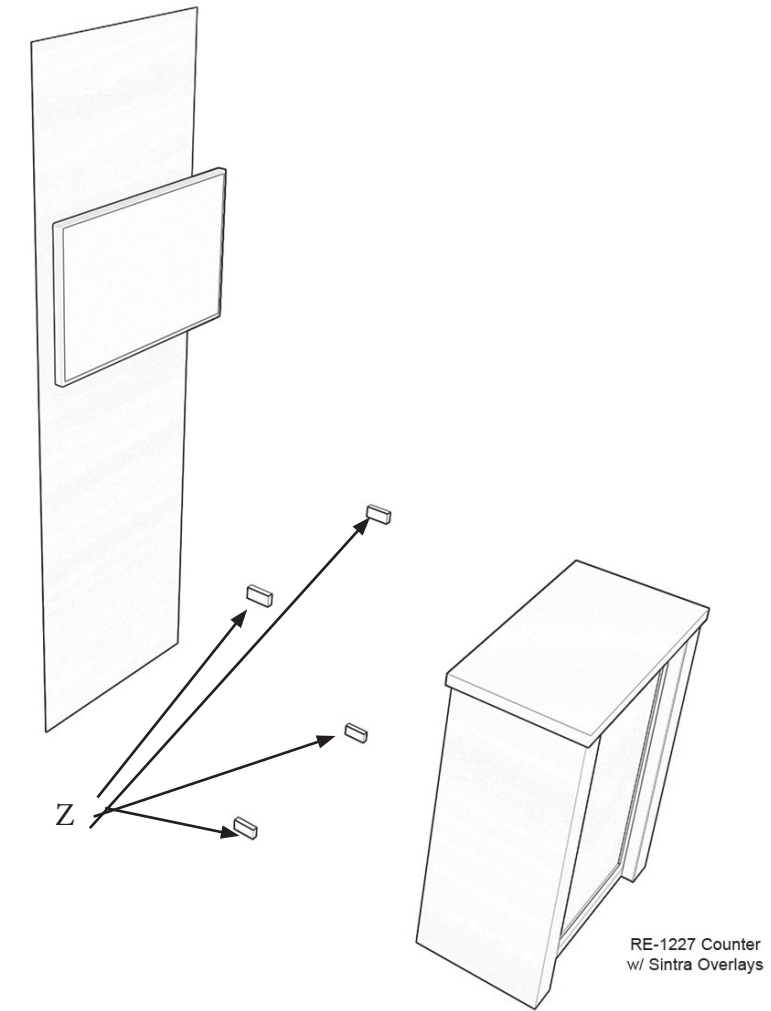
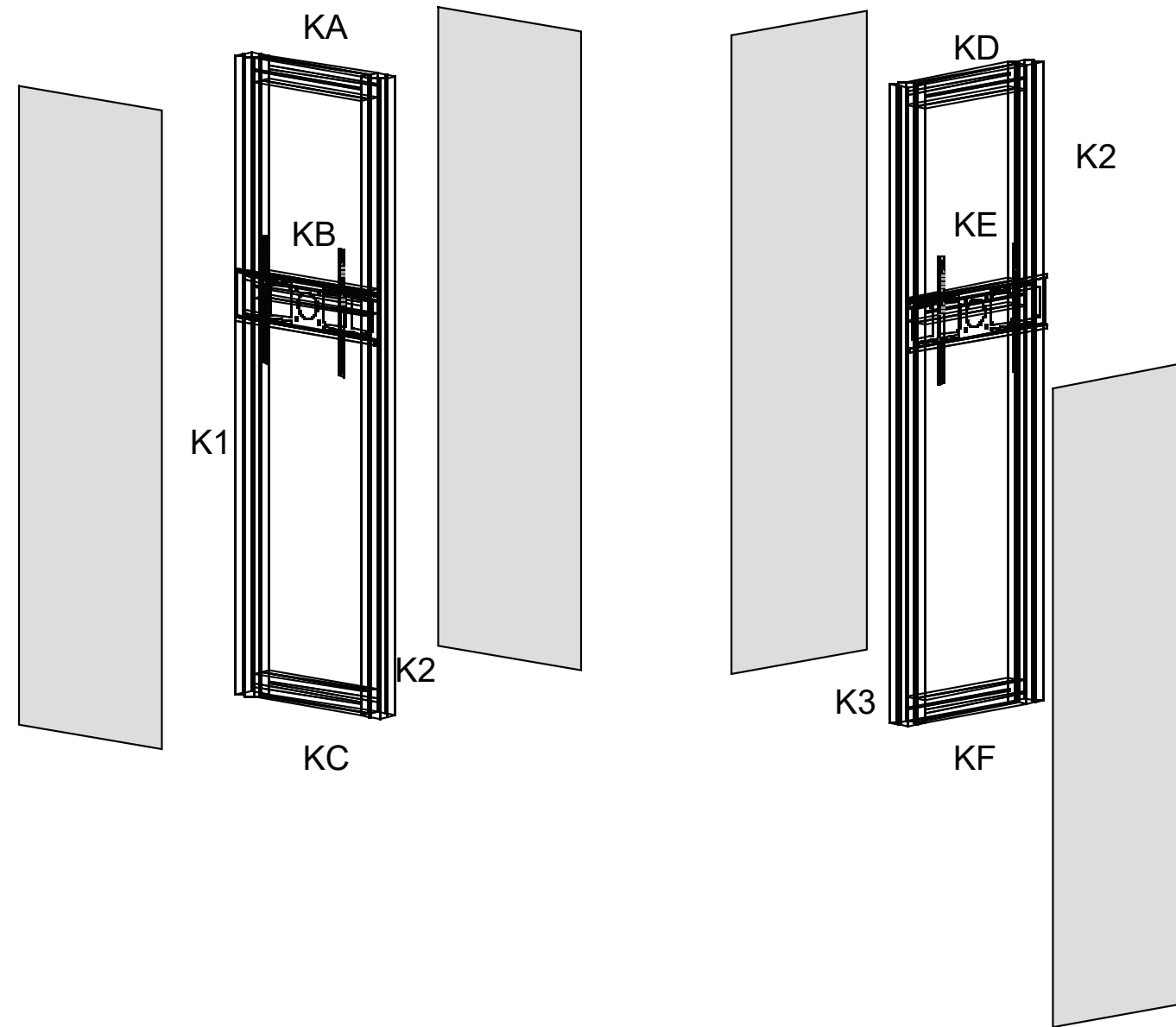
Boomerang Base
attaches to end cap
and bolts thru T4



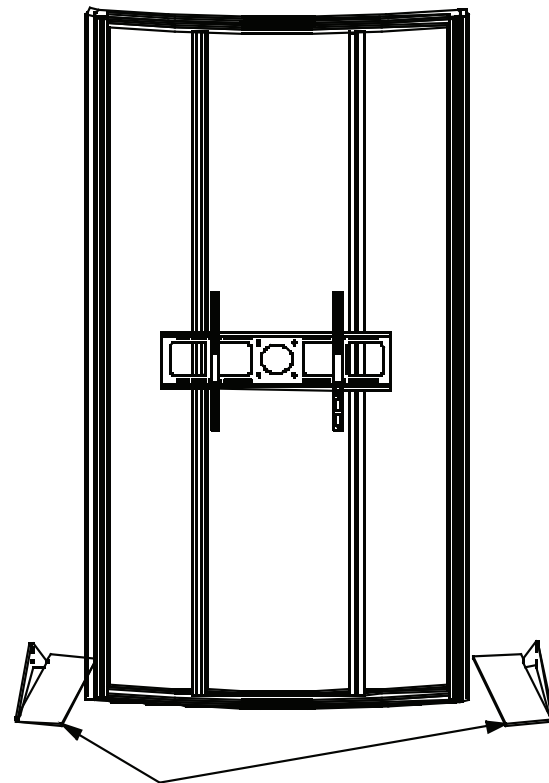


2 bottom header curves
with thru-hole drilled for M10 bolt
to attach to AVR 128 in Q 914
see detail for location

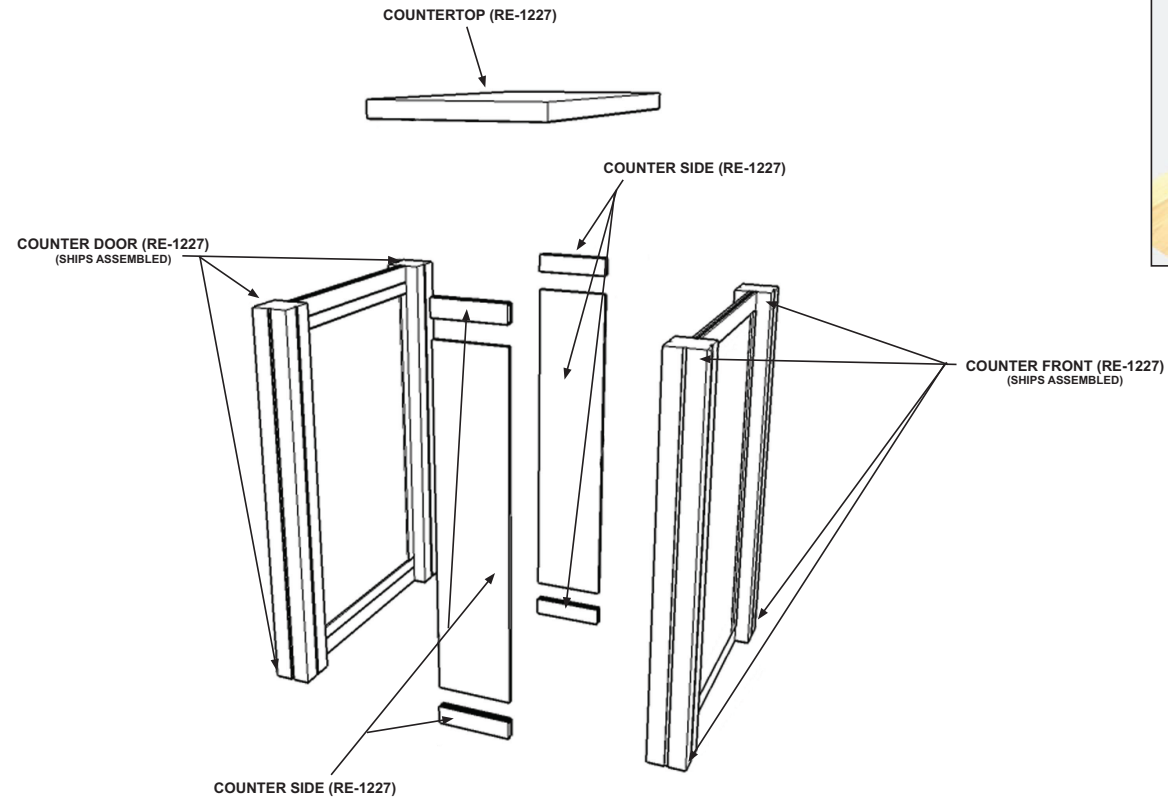


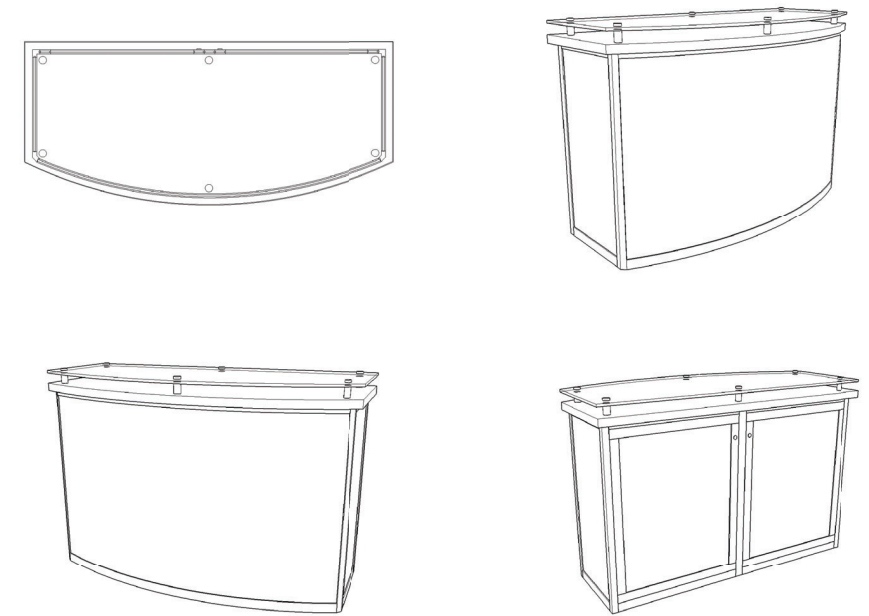
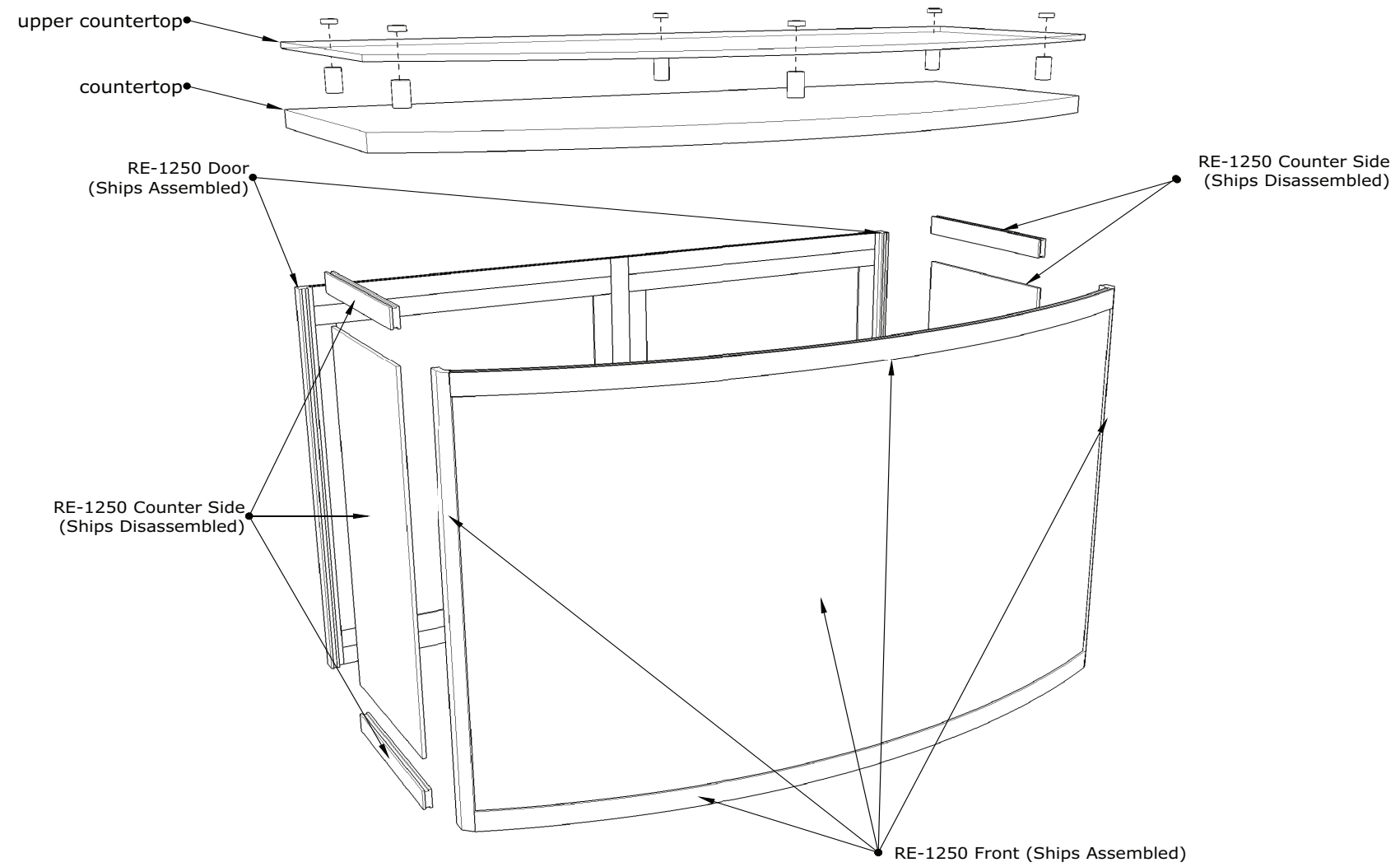


MOUNT RE-1227 COUNTER
WITH CONNECTORS "Z"
THRU HOLES IN FABRIC



SHIPS ASSEMBLED
ADD BOOMERANG FEET
TO FRAME END CAPS





General Setup Instructions

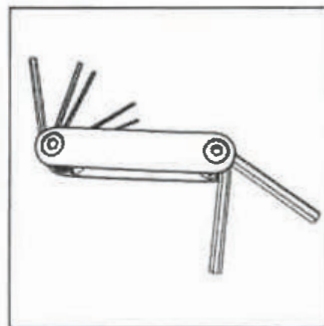
- Read entire setup instruction manual prior to unpacking parts and pieces.
- The setup instructions are created specifically for this configuration.
- Setup instructions are laid out sequentially in steps, including exploded views with detailed explanation for assembly.

Cleaning & Packing

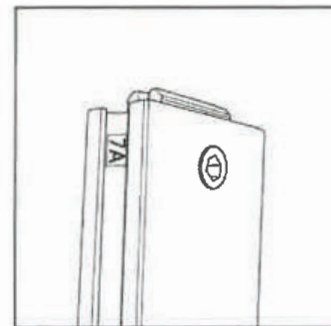
- For Cleaning Metal, Plex, & Laminate Parts: Use a **MILD NON-ABRASIVE** cleanser and soft cloth/paper towel to clean all surfaces.
- Keep exhibit components away from heat and prolonged sun exposure. **Heat and UV exposure will warp and fade components.**
- Retain all provided Packing Materials. All provided packing materials are for ease of repacking & component protection.

Disassembly

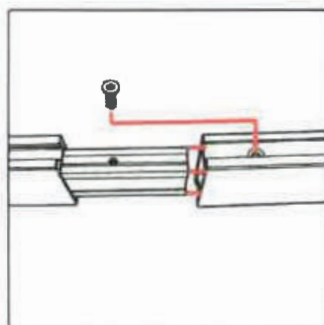
- For loss prevention, tighten all setscrews and locks during disassembly



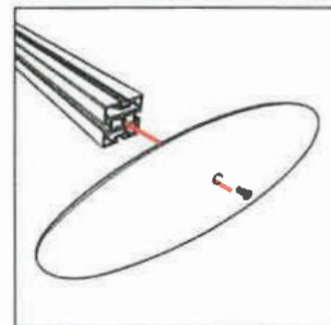
Hex Tool - Essential for Assembly



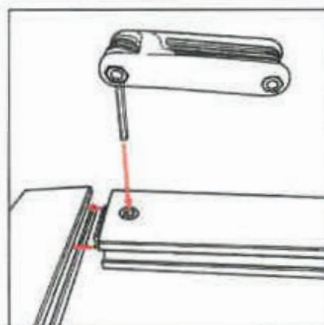
Part Identification - Numbering



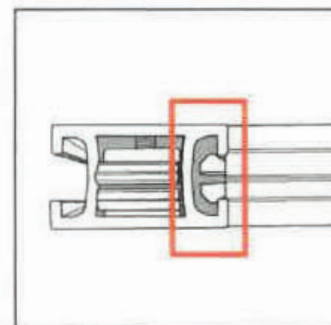
Spline Connection



Base Plate & Extrusion Connection



Extrusion & Lock Connection



Engaged Lock



WARNING



DO NOT USE POWER TOOLS



LADDERS OR LIFTS MAY BE REQUIRED



ALL CONNECTIONS MUST BE TIGHTLY SECURED

Controlling the RGB LED lights

Static Mode:

1. Use the Color Ring on remote to select color.
2. Saturation is controlled with W/R/G/B buttons.
3. White mode is available by long-pressing "ON".
4. Colors (not white) are dimmable with the slider Brightness control.

Dynamic Mode:

- Press "M" key to cycle through the following options:
1. White light fades in and out.
 2. Several colors fade in and out.
 3. R,G,B three colors fade in and out.
 4. R,G,B three colors flash.
 5. Six colors flash.
 6. Random color flashes.
 7. Red color fades in and flashes.
 8. Green color fades in and flashes.
 9. Blue color fades in and flashes.

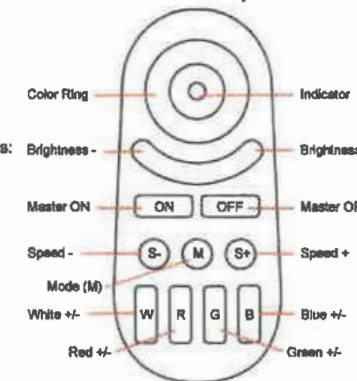
To Pair a Remote with Multiple Units:

1. Power on the lights.
2. Press "ON" key on remote within 3 seconds.
3. Lights will blink when link is made.

To unpair: Long press "ON" key within 3 seconds after switching on lights

Remotes can be paired with one or more receivers. Different receivers can work synchronously even when started at different times (within 30 min).

Function of Keys

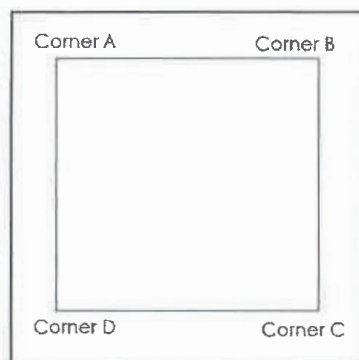


Specifications:

- | | |
|-------------------------------|-----------------------------|
| Receiver: | Remote Control: |
| 1. Working voltage: DC12V/24V | 1. Working voltage: 3V |
| 2. Output: Max. 8A/Channel | 2. Standby power: <20uA |
| Total output Max. 10A | 3. Transmitting power: 600m |
| 3. Max standby power: 0.6W | |

SEG Graphic Installation

Graphic: To Ensure Proper Fit



It is important to first insert graphic into each alternater corner then to the sides of the frame. If this is not done, graphic will not fit into the frame correctly.



Step 1
 Insert corner A.
 Turn edge of graphic so silicon welt is perpendicular to face of graphic. Insert narrow side of welt with fabric to outside into the channel. Repeat for other side of this corner.



Step 2
 Repeat Step 1 for opposite corner C, then insert corner B, followed by corner D, to complete the installation of the corners.



Step 3
 Once all corners are inserted, press one silicon edge into channel from corners and work toward the center. Make sure welt is fully inserted into channel. Continue until all sides are done. Smooth out edges of graphic.

Graphic Removal



To remove the graphic from the frame, locate the fabric pull tab. Gently pull up on the tab to remove the fabric.



Side-by-Side Assembly

- 1) Frames: Place frames side-by-side with one higher than the other, then slide panel down to lock panels together and in place.
- 2) Corner Connections: Repeat Step 1 for installing corner connections to frames.

Side-by-Side Disassembly

- 1) Push pin lock outwards to disengage pin lock.
- 2) Pull frames upward and apart at the same time.

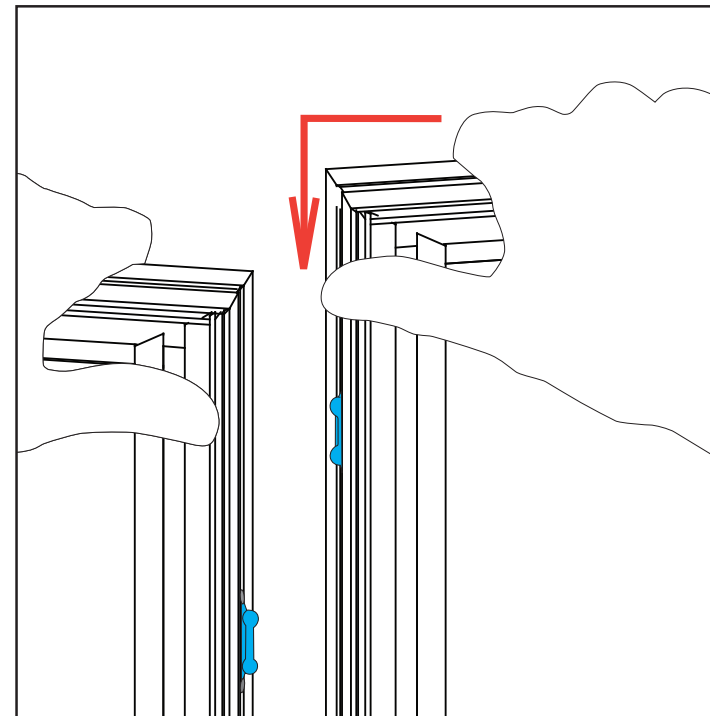
Stacking Assembly

- 1) Place one horizontal frame on top of the other lining up the center grooves.
- 2) Turn the pin clockwise to tighten the stacking lock into place. Repeat for each pin.

Stacking Disassembly

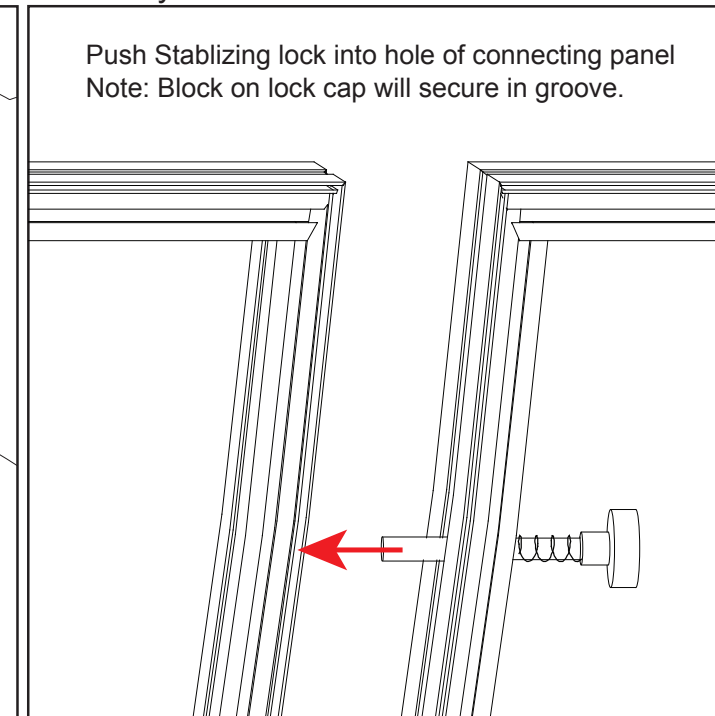
- 1) Turn the stacking lock counter clockwise to loosen the pin.
- 2) The whole spring on the stacking lock should be in view to release each frame. The spring should release the locking pin. If not, turn the pin until it disengages.

Assemble

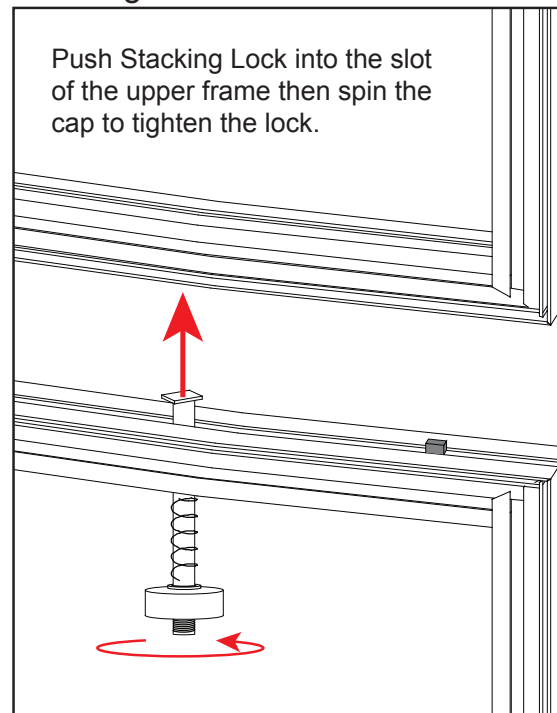


Assembly Cont'd

Push Stabilizing lock into hole of connecting panel
Note: Block on lock cap will secure in groove.



Stacking



Unstacking

Disengage the Stacking Lock by spinning the cap counter clockwise and pulling down.

